

Performer

BUMPER PULL



The all new Performer Bumper Pull is a 2 horse straight load trailer with a large tack storage room and tons of extra features. It comes standard with large sliding windows in the horse area, a divider between the stalls, feed mangers for each stall with a pass thru door, and is 7'6" tall. The Performer also has two sliding windows in the nose of the trailer and windows in the rear tail curtains.

STANDARD FEATURES

- 2 5/16" Bumper pull
- 2 Horse
- Straight load
- 6'9" Wide
- 7'6" Tall
- 38" Wide stalls
- All aluminum construction
- All aluminum floor
- Pre-painted aluminum exterior (white)
- Rubber torsion axles
- 4 Wheel electric brakes with safety breakaway
- LED clearance & tail lights
- Top wind jack
- Graphics package
- Spare tire and wheel
- Full length running boards

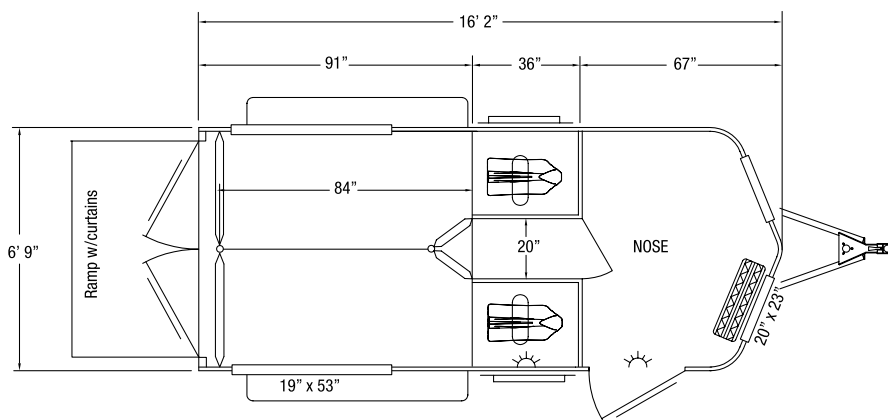


HORSE AREA

- Padded solid head and shoulder divider(s) with butt bar and breast bar per stall
- Floor mats in horse area
- Large sliding window per stall
- Tail curtain windows
- Drop down feed door per stall
- SunCoated™ side walls (double wall construction)
- Spring loaded rear ramp (rubber lined) with wrap around tail curtains above rear ramp
- Pop up vent per horse stall
- Dome light in horse area
- 1 Outside and 2 inside tie rings per stall
- Feed manger per stall

FRONT TACK STORAGE

- 2 Sliding windows in the nose
- Locking tack door with window
- Rubber floor mats
- Dome light
- 6 Tack hooks
- Blanket bar
- Brush tray
- Pass thru door
- 2 Saddle racks



All dimensions are approximate. Photos may show options. Due to constant product improvements, specifications, component parts, standard and optional equipment are subject to change without notice or obligation. Refer to standard and special features for specifics. See your dealer for warranty details. 2011 © Sundowner Trailers, Inc. (6.8.11)

SUNDOWNER TRAILERS, INC.

9805 OK Highway 48 South • Coleman, Oklahoma 73432-8523
800-438-4294 • www.sundownertrailer.com