

# Stockman Sport

**BUMPER PULL**



The new Stockman Sport is an all aluminum slant load horse trailer designed for the versatility that many horse enthusiasts are searching for today. This bumper pull is available in a 2 or 3 horse model. It has drop down feed doors on the head side and Plexiglas on the rump side and rear doors. The Stockman Sport has removable dividers, rubber floor mats and comes with a front tack storage room. It is built with the same quality and standards that people have come to expect from Sundowner. The Stockman Sport carries a 3 year hitch to bumper and 8 year structural warranty. This trailer is perfect for hauling with smaller tow vehicles.

## STANDARD FEATURES

- 2 5/16" Bumper Pull hitch
- 6' 9" Wide
- 7' Tall
- 2 or 3 horse
- Slant load
- 39" Wide Stalls
- All aluminum construction
- All aluminum floor
- Mill finish exterior skin
- LED clearance and tail lights
- Rubber torsion axles
- 4 wheel electric brakes with safety breakaway
- Rear rubber bumper
- Top wind jack

## HORSE AREA

- Solid head and shoulder dividers
- Floor mats in horse area
- Drop down feed door with sliding window per stall (head side)
- 2 Air gaps with Plexiglas on rump side and rear doors
- Suncoated® rump wall and load side door
- Pop up horse vent per stall

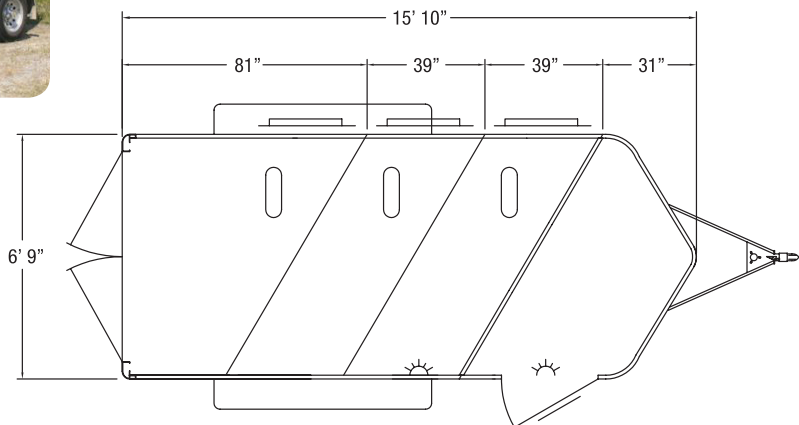
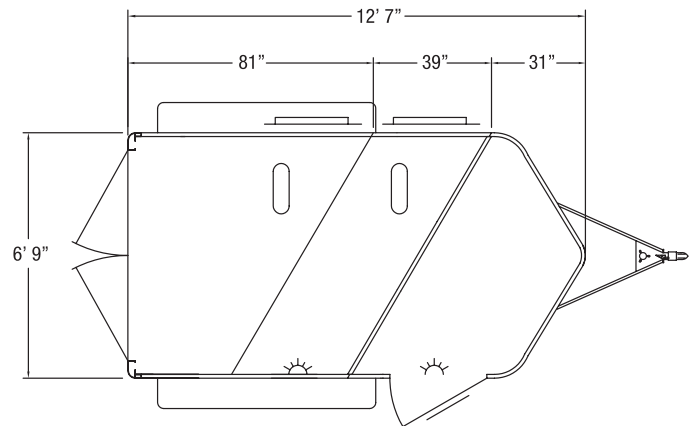
- Double rear doors with Plexiglas
- Dome light in horse area
- 2 Inside tie rings per stall

## FRONT TACK STORAGE

- Locking door with sliding window
- Rubber floor mats
- Interior dome light
- 6 Tack hooks

## POPULAR OPTIONS

- Gravel guard
- Face guards
- Extra height
- Extra lighting
- Rear ramp
- Saddle rack
- Rear tack
- Pads on dividers



All dimensions are approximate. Photos may show options. Due to constant product improvements, specifications, component parts, standard and optional equipment are subject to change without notice or obligation. Refer to standard and special features for specifics. See your dealer for warranty details. 2010 © Sundowner Trailers, Inc. (6.3.10)

SUNDOWNER TRAILERS, INC.

9805 OK Highway 48 South • Coleman, Oklahoma 73432-8523  
800-438-4294 • [www.newsundownerlineup.com](http://www.newsundownerlineup.com)

